

Live for freedom

ELECTRONIC TOILET

Seewin Technology (Zhejiang) Co.,Ltd.
Lingang Industrial Park,Jiantiao,Sanmen,
Taizhou,Zhejiang,China.317109
www.swande.cn

Installation Manual
City Life Series

Thank you for your trust

Sincerely thanks for buying our product, please understand important matters regarding the instructions for use from this manual before you use the product.

Please follow the instructions of the manual.

Please safekeep the manual after reading for review later.

Our products will be improved continually, we will not notice if there's some change.

The pictures in the manual are schematic diagram only, please refer to the actual product for details.

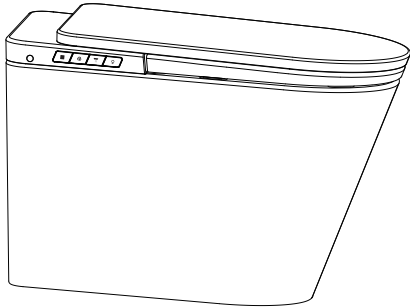
We hope that you can master the instructions for use through this manual.

To make sure the best function provided by the product and personal safety, please:

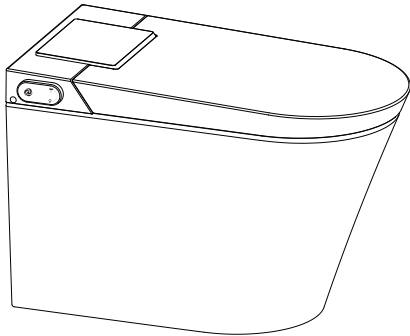
Read the manual carefully before the first time using.

Some function will be different according to the model, the specific kind prevail

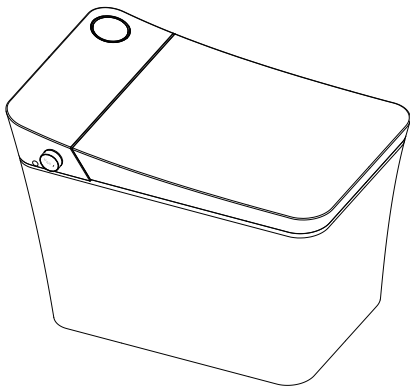
Leipzig CL



Munich CM



Hannover CH



12. Correct Disposal of this product --

This marking indicates that this product should not be disposed with other household wastes throughout the EU. To prevent possible harm to the environment or human health from uncontrolled waste disposal, recycle it responsibly to promote the sustainable reuse of material resources. To return your used device, please use the return and collection systems or contact the retailer where the product was purchased. They can take this product for environmental safe recycling.



Drying/Wind temperature

Fault	Failure analysis	Solutions
Drying with cold wind	Check wind temperature setting which is closed or in low gear	Adjust the wind temperature according to manual

Seat temperature

Fault	Failure analysis	Solutions
No seat heating/lower temperature	Check seat temperature setting which is closed or in low gear	Adjust the seat temperature according to manual

Remote

Fault	Failure analysis	Solutions
Remote failure	Low power of battery	Replace the old battery
	Check if there's any water inside remote or not	Dry the water with dry cotton cloth

Ceramics

Fault	Failure analysis	Solutions
Flush uncleaned when in lower water pressure	Angle valve filter blocked	Clean the filter according to the manual
	Water pressure is too low	Measuring the water volume which is less than 10L for 30s or not (Our suggestion is to buy a booster pump)
	Water inlet pipe bended	Ensure the water supply line is smooth
Normal water pressure but flush uncleaned and no siphon	outlet has air leakage	Please ask professional repair man for help
	S pipe blocked	Using a toilet dredge
Normal water pressure, but flushing not work	Check the angle valve is closed or not	Open the angle valve again
	Flush valve failure	Please ask professional repair man for help

Others

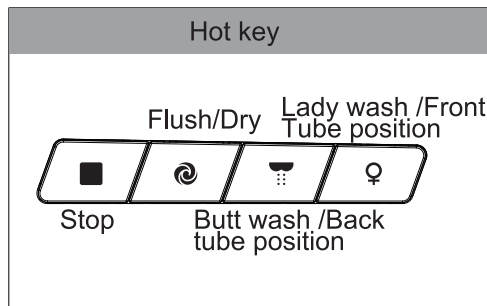
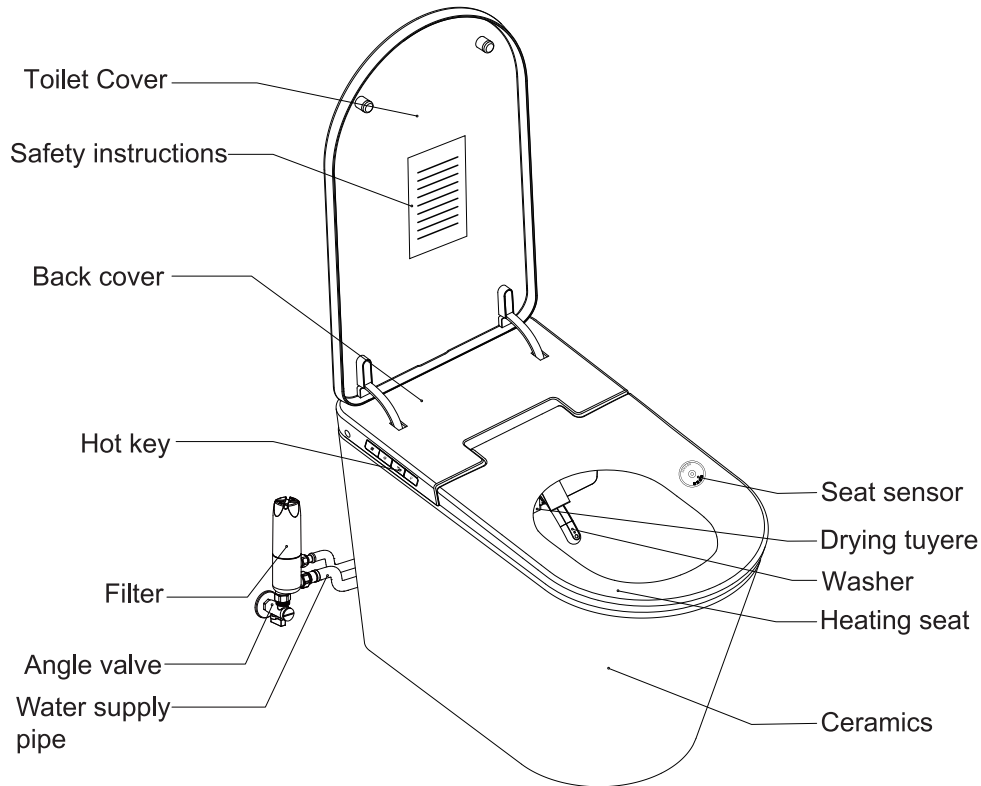
Fault	Failure analysis	Solutions
Cover/seat falls down too fast	Failure of Damping Slowing down Function	Clean the filter according to the manual
Not automatically flush after men urinate	Check if you only open the cover without opening the seat	Open both the cover and seat
Orderly cyclic work of each function	Mistaken into engineering debugging mode	Pull out the plug and connect the plug after 1 minute
Night light not work	Check the night light which is close or not	Open the night light according to the manual
Leakage		Close the angle valve and disconnect the power supply then contact your installer

Catalog

- 1. Overview 1
 - 1.1 Toilet 1
 - 1.2 Remote 4
- 2. Packing list 5
- 3. Explanation of symbols 6
- 4. Safety instructions 6
 - 4.1 Normal use 6
 - 4.2 Safety instructions 6
 - 4.3 The use of battery 8
- 5. Side button 9
- 6. Common function operation 12
 - Temperature adjust 13
 - SPA 14
 - Flush function 16
- 7. Installation 19
 - 7.1 Precautions before installation 19
 - 7.2 Confirmation before installation 19
 - 7.3 Installation method 20
 - 7.4 Acceptance instruction after installing 24
- 8. Cleaning & maintenance 25
- 9. Product specification 28
- 10. Function list 29
- 11. Common fault diagnosis 30
- 12. Correct disposal of this product 32

1. Overview

1.1 Toilet



Note: Regarding the appearance & function, please refer to the physical goods.

11.Common Fault Diagnosis

If something goes wrong, please read the following to try to solve the problem. If can't solve, please contact to seller.

Power switch

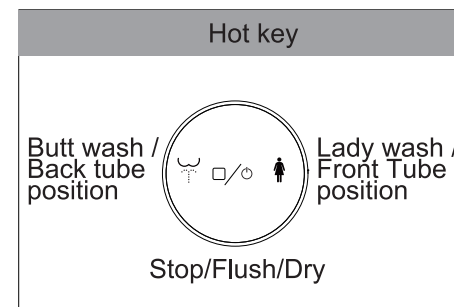
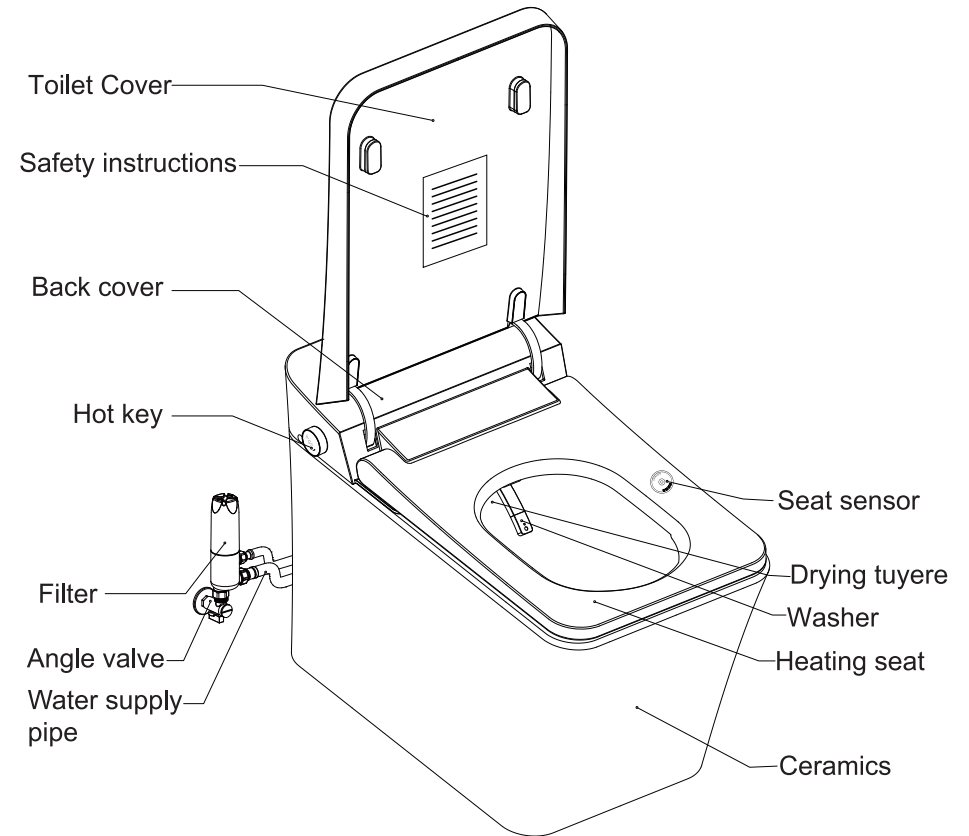
Fault	Failure analysis	Solutions
Product not work	Check whether the socket is electrified or not, the plug is loosened or not	Check circuit
	Check whether the toilet is power on or not (The side button light is on or not)	Press the power on/off button till the side button light is on
	Check whether the leakage protection button in the plug is on or off (The light of leakage protection plug is on or off)	Pull out the plug and connect it later. Press the reset switch of the leakage protection plug. If still not work, pull out the plug and ask a professional repair man for help

Butt wash , Lady wash

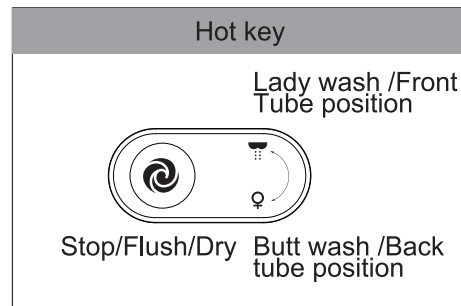
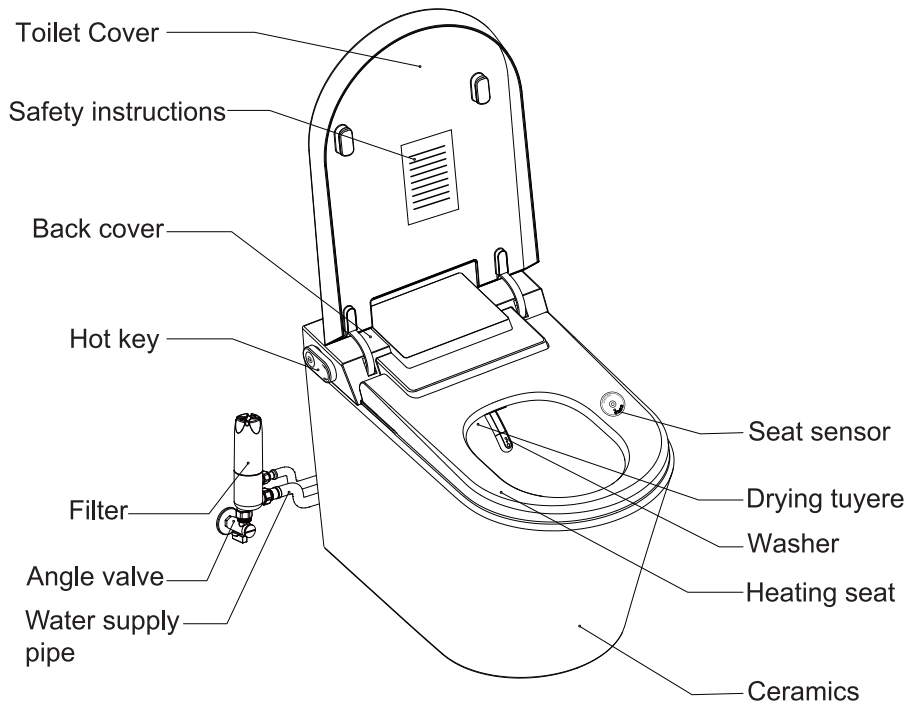
Fault	Failure analysis	Solutions
No water from the nozzle	Check if there's no water supply	Wait for water supply back to normal
	Check if the angle valve is closed or not	Open the angle valve
	Check if the inlet water filter is blocked or not	clean the water filter
	check if the water inlet pipe is bended or not	Ensure that the inlet pipe is not bended
Cleaning strength not enough	check the water pressure is in low gear or not	turn up water by remote
	Check inlet filter blocked or not	clean the inlet filter
nozzle water abnormal	Abnormal operation	Unplug the power cord and plug it in 1 mins later
Water temperature not enough	check the water temperature is in low gear or not	Reference manual how to adjust water temperature
Washer always dripping water	Solenoid valve failure	please find a professional repair man
Washer can not use	seat body induction failure	please find a professional repair man

10. Function list

Product name		Leipzig		Munich		Hannover		Munich		
Model		CL-300	CLD-300	CM1-300	CM1D-300	CH-300	CHD-300	CM2-300	CM2D-300	
		CL-400	CLD-400	CM1-400	CM1D-400	CH-400	CHD-400	CM2-400	CM2D-400	
Category	Function	Configuration • Standard – Without								
Wash	Clean	Butt wash	•	•	•	•	•	•	•	•
		Children	•	•	•	•	•	•	•	•
		Women wash	•	•	•	•	•	•	•	•
	Way of wash	One-button SPA	•	•	•	•	•	•	•	•
		Intelligent wash	•	•	•	•	•	•	•	•
		Reciprocating wash	•	•	•	•	•	•	•	•
		Cool/Warm massage	•	•	•	•	•	•	•	•
		Strong/Weak massage	•	•	•	•	•	•	•	•
		Water pressure adjust	•	•	•	•	•	•	•	•
		Water temperature adjust	•	•	•	•	•	•	•	•
	Nozzle nursing	Tube position adjust	•	•	•	•	•	•	•	•
		Nozzle self-cleaning	•	•	•	•	•	•	•	•
		Nozzle disassembling	•	•	•	•	•	•	•	•
	Comfortable	Temperature	Nozzle pipe cleaning	•	•	•	•	•	•	•
Seat heating			•	•	•	•	•	•	•	•
Rapid drying			•	•	•	•	•	•	•	•
Slowing down		Damping slowing down	–	•	–	•	–	•	–	•
		Temperature adjust	•	•	•	•	•	•	•	•
Air temperature adjust		Seat temperature adjust	•	•	•	•	•	•	•	•
		Air temperature adjust	•	•	•	•	•	•	•	•
Night light		Night light	•	•	•	•	•	•	•	•
		Frequency conversion heat	•	•	•	•	•	•	•	•
Convenient		Intelligent Flush	Intelligent power saving	•	•	•	•	•	•	•
	LCD		–	•	•	•	•	•	•	•
	Sensor	Electricity-off flush	•	•	•	•	•	•	•	•
		Remote flush	•	•	•	•	•	•	•	•
		Button flush	•	•	•	•	•	•	•	•
		Automatic flush	•	•	•	•	•	•	•	•
		Drying flush	•	•	•	•	•	•	•	•
		Side button	•	•	–	–	–	–	–	–
		Side knob	–	•	•	•	•	•	•	•
	Luxury function	Foot sensor flush	•	•	•	•	•	•	•	•
		Seat sensor	•	•	•	•	•	•	•	•
		Automatic cover flip	•	•	•	–	•	–	•	–
		Remote cover flip	•	•	•	–	•	–	•	–
Remote seat flip		•	•	•	–	•	–	•	–	
Foot sensor seat flip		•	•	•	–	•	–	•	–	
Safety and environmental protection	Environmental protection	VIP memory mode	•	•	•	•	•	•	•	
		Water quality purification	•	•	•	•	•	•	•	•
		Intelligent deodorization	•	•	•	•	•	•	•	•
		Countercurrent prevent	•	•	•	•	•	•	•	•
		Intelligent wake up	•	–	•	–	•	–	•	–
	Safety	Business mode	•	•	•	•	•	•	•	•
		Running water replacement	•	•	•	•	•	•	•	•
		Nano glazed surface	•	•	•	•	•	•	•	•
		Eight level protection	•	•	•	•	•	•	•	•
		Silver ion antibacterial	•	•	•	•	•	•	•	•
Nano antibacterial	•	•	•	•	•	•	•	•		



Note: Regarding the appearance & function, please refer to the physical goods.



Note: Regarding the appearance & function, please refer to the physical goods.

Adjust step:

- The first step: the pulse valve 1's flushing time adjust, at this time green light flashes (0.5s dark 0.5s bright). Use the remote control [gear position +]and the [Gear position -] to adjust the time, add or minus 0.5s one time. The adjustment range is 4-10 seconds; Then press the side button for lady wash or lady wash knob entering into the second step: pulse valve 2's sewage time adjust. At this time, yellow light flashes. The adjustment method is the same as first step.
- Then Short press the side button for lady wash or lady wash knob to enter into the third step: pulse valve 1's water return time adjust. At this time, red light flashes. The adjustment method is the same as first step.
- Finally, press the side button for lady wash or lady wash knob to leave the pulse valve time adjust function.
- Exit: except for the side button for lady wash or lady wash knob, or the button for water pressure and tube position in the remote, all other button can exit the adjustment function.
- If the flush time adjustment has reached the limit, there will have a tone of operation failure when adjusting. The default flushing time is 5s, 6s, 7s, and the adjustment range is 4-10 seconds.

9.Product specification

Rated voltage	220-240V~,50Hz
Rated power	1150W
Power cable	1.5m
Applicable water pressure	0.14-0.75MPa
Water temperature	4-35°C
Ambient temperature	4-40°C
Net weight	45kg
Waterproof level	IPX4
Cleaning water flow	0.5-0.7L/min
Seat temperature adjust	(Normal temperature-around 40°C) total 4 gear
Water temperature adjust	(Normal temperature-around 40°C) total 4 gear
Wind temperature adjust	(Normal temperature-around 40-65°C) total 4 gear
Cleaning time	Normal cleaning is about 90s, SPA cleaning is about 5mins
Nozzle position adjust	4 gear
Heating mode	Fraquency conversion heat
Safety device	Leakage Protection switch, wind /seat/water temperature Protection
Deodorization	Nano intelligent deodorization

Executive standard: GB4706.1 GB4706.53

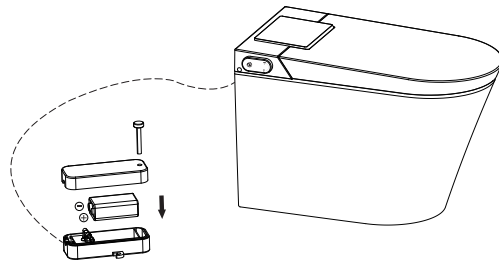
Note: Rated power: when the ambient temperature is 23 ° C, inlet water static pressure is 0.2 MPa ± 0.02 MPa, inlet water temperature is 15 ° C, and seat temperature (high), water temperature (high), water pressure (high), the maxium stable power we can read in the mode of lady wash.

Battery(used for electricity-off) replace

1. Loosen the screws that secure the battery cover, remove the old battery and give it to a professional recycling agency .
2. Replace the new battery and lock the fixing screw as the shown picture.
3. Refer to the battery installation picture to install the battery in the proper location.

※Battery have to be put in a place where children can not get. Please confirm the positive and negative of battery. Do not charge, disassemble, burn the battery. Don't mix it with old batteries or different types of batteries to avoid leakage or explosion.

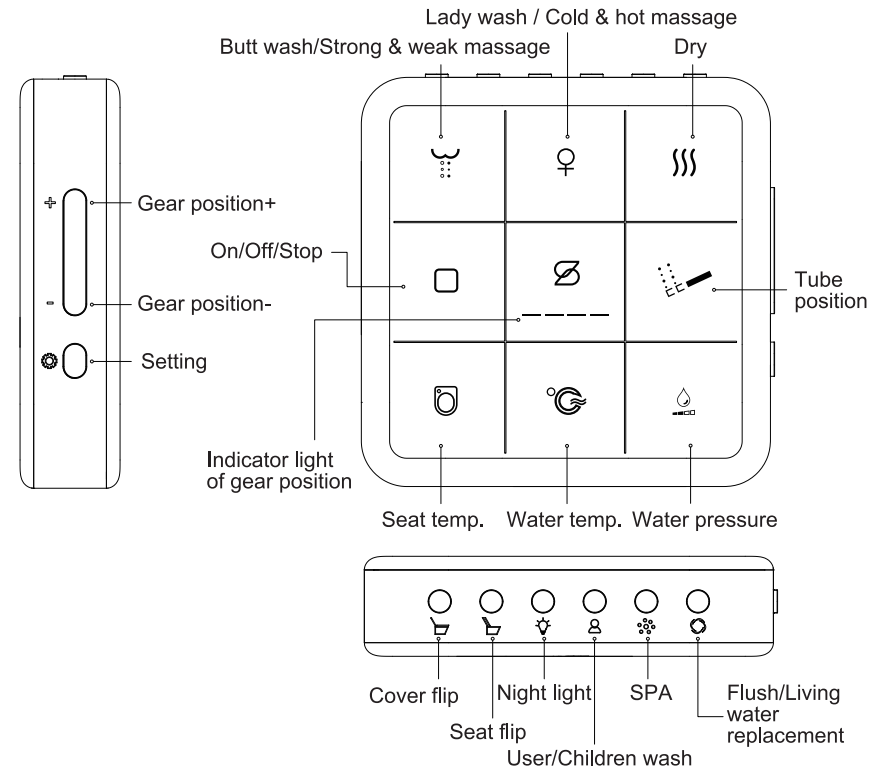
※The battery case has a moisture-proof function. Please tighten the fixing screws to achieve a good sealing effect.



Flush time adjust

- Press and hold the side lade wash button or lady wash knob for 8s to enter into the flushing time adjustment function and adjust the pulse valve time.

1.2 Remote



Remote Instruction of pair code

1.Pull out the plug and long press the dry button till the gear position light is flashing.

Long press the dry button
Gear position button flashes

2.Put the remote near to the product then connect the plug.

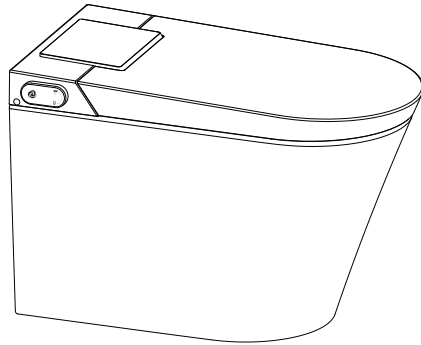
220-240V~

3.Gear position light stop flashing and constantly bright, also all gear position lights are bright.

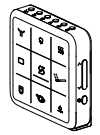
4.Till now, paid code is successful.

Tips: Do not keep it close to your body for whom has cardiac pacemaker and other auxiliary medical equipment in the body. Because the remote has Strong magnet inside.

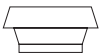
2. Packing list



Complete machine



Remote



Sludge seal ring



Angle valve filter & decorative cover



Battery settings



Battery of remote



Filter

Certificate

Warranty card

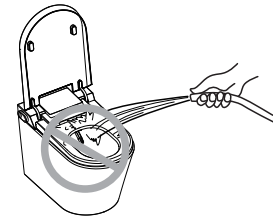
Manual

! Warning

Please don't fill the water & detergent into the intelligent toilet or remote. Please don't make the intelligent toilet or plug wet by water or detergent.



※Or else may make electric shock or fire hazard.



■Antifreeze in winter (when the ambient temperature is below 1 °C)

1. When you go out for a business trip or traveling and not use the toilet for a long time.
 - ① First close the water supply angle valve, then press the flush button in the remote to conduct a drainage.
 - ② After 30 seconds of drainage, please be sure to pull out the power plug.
2. The remaining water may freeze when the product is transported over long distances or stored for a long time in cold winter. To prevent freezing, please take antifreeze measures.

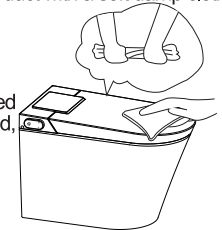
Note

- Connect to power and water after putting the product for 30 minutes until it is naturally thawed in warm room.
- If it is frozen and failed to spray water, you can cover the water supply pipe or connection part with cloth which has been soaked in hot water to make it thawed. (Please do not pour the water supply pipe with hot water or blow it with hot wind.)

Plastic parts and ceramics's cleaning and maintenance

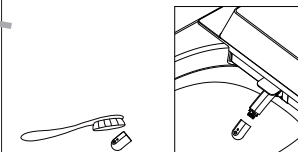
- When the product become dusty or dirty, wipe the product with a soft damp cloth.
- The ceramics can be cleaned with neutral detergent combined with cold or warm water, using a soft brush, rag or sponge.

※Do not use unsuitable detergent (such as concentrated sulfuric acid, concentrated nitric acid, glacial acetic acid, carbon tetroxide, chloroform, acetone, methyl ethyl ketone, benzene, toluene, phenol, cresol, dimethylformamide, methyl ether, large Soybean oil, acetate, 40% nitric acid, concentrated hydrochloric acid, 95% alcohol, gasoline, kerosene, brake oil, etc.)



Nozzle's cleaning and maintenance

In the condition of nobody on the seat, press [butt wash] button or rotate the [butt wash] button on the toilet for 2 seconds, the washer will extend automatically. If the nozzle is dirty, hold the washer and clean it with a toothbrush. Do not use excessive force, the nozzle will be damaged.



Cleaning and maintenance

please clean and maintain the product regularly to make sure the normal use of product.

Note

- Please cut off the power, close the water supply angle valve and stop the water supply before maintenance.
- Do not rinse this product with water during maintenance.

Maintenance of the prefilter.

- The prefilter is installed on the water supply angle valve. It can't be pressed by foreign matter or near the corrosive substance.
- The prefilter should be installed away from overheat source (such as heaters, Yuba lights, etc.), It should be installed indoors, and it is forbidden to be exposed to the sun or cold weather.
- Please replace the prefilter after it has reached the end of service life.
- If you are not at home for a long time (travel, etc.), please turn off the water supply angle valve.

It is recommended to replace the filter every 6 months.

Maintenance of the steel mesh filter.

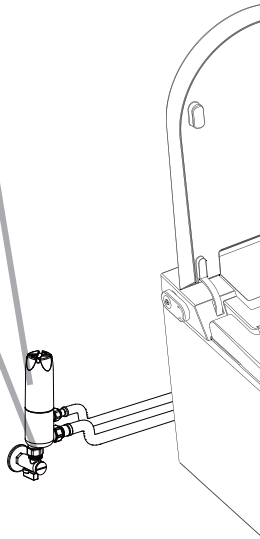
- For your health, please clean the steel mesh (or replace the filter) according to the local water quality.
 - When the cleaning strength becomes weaker, please clean the steel mesh (or replace the filter) in time. Please close the water supply angle valve when disassembling the filter. When installing the filter, tighten it to avoid water leakage.
- ※ Turn the filter counterclockwise with a coin to open the filter



It is recommended to clean the steel mesh every 1-2 months.

Common problem

Fault	Failure analysis	Solution
No water	Check if there's water supply or not	Open the water source
	Check if the water supply angle valve is open or not	Open the water supply angle valve
	Check if the water supply angle valve filter net is blocked or not	Clean the filter net
Water leakage at the joint	Check if the joint is tighten or not	Tighten the joint
	Check if the inside seals of joint is aged or damaged	Replace the seals
	Check if the water supply angle valve is fully open or not	Fully open the water supply angle valve
Water flow becomes smaller	Check if the water supply angle valve filter net is blocked or not	Clean the filter net
	After cleaning the water supply angle valve net, the water flow is still small	Replace the filter
Device leakage	Check if the seals is damaged or not	Replace the seals
	The water supply angle valve is not matching with device.	Replace the suitable parts



3. Explanation of symbols

- 3.1 DANGER Express that you will be dead or seriously injured if not avoid the dangerous situation.
- 3.2 WARNING Express that you will be dead or seriously injured if not avoid the dangerous situation.
- 3.3 CAUTION Express that it may cause personal injury or property damage if you ignore the sign and misoperate.
- 3.4 Do not add foreign matter such as water or detergent to the product body.
- 3.5 Do not disassemble the product privately.
- 3.6 Keep away from fire.
- 3.7 Please operate according to the manual.
- 3.8 It's forbidden.

4. Safety instructions

Please read the manual carefully, especially the safety instructions in order to make sure you can enjoy the service of the product. Please reserve the manual carefully. Please attach the manual if you send the product to others.

4.1 Normal use

This product is a one-piece intelligent toilet with integrated flushing system. It can comfortably clean the buttocks and private place which is used only for closed space . Any other use is considered as abnormal use. For abnormal use, we will not assume any responsibility .

4.2 Safety instructions

Please read and follow the safety instructions as below!

Requirement of user

- For disabled, defective people in physical, sensory perception and intellectual abilities, and people who is lack of experience and common sense (including children), please use this product under supervision.
- Don't allow children to play with this product.

DANGER

- Please make sure that the ground wire has been connected.
 - If the the ground wire is not connected, it may cause electric shock or leakage.
- Make sure the power cord is not damaged.
- The power cord can't be stucked or squeezed.
- Keeps the power cord away from hot surfaces and sharp edges.
- The power socket must be within the specified range(AC220-240V±10%).